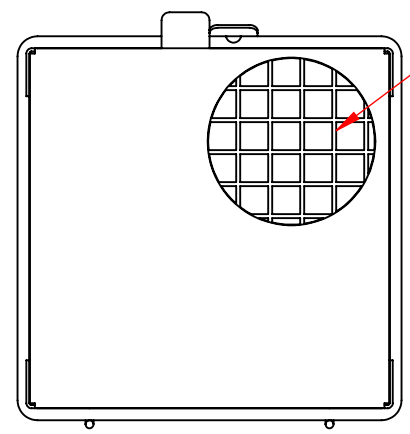
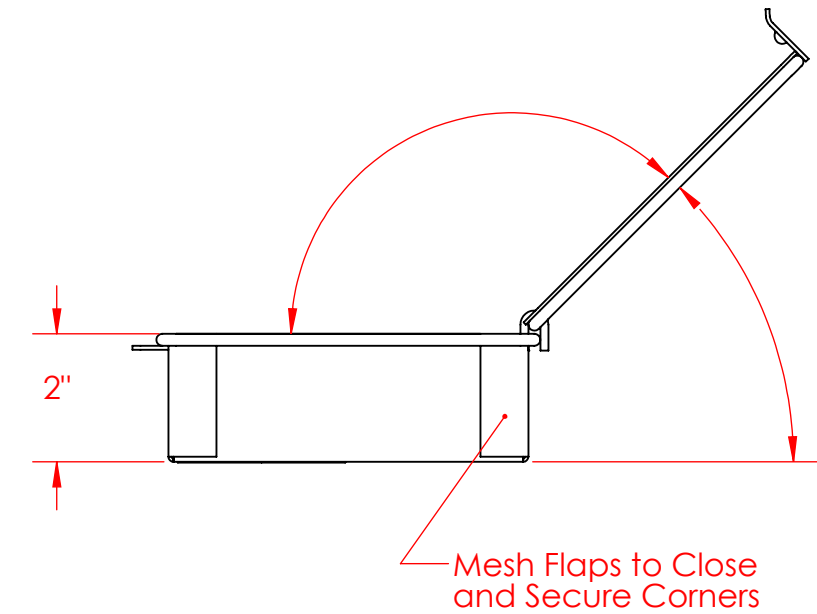
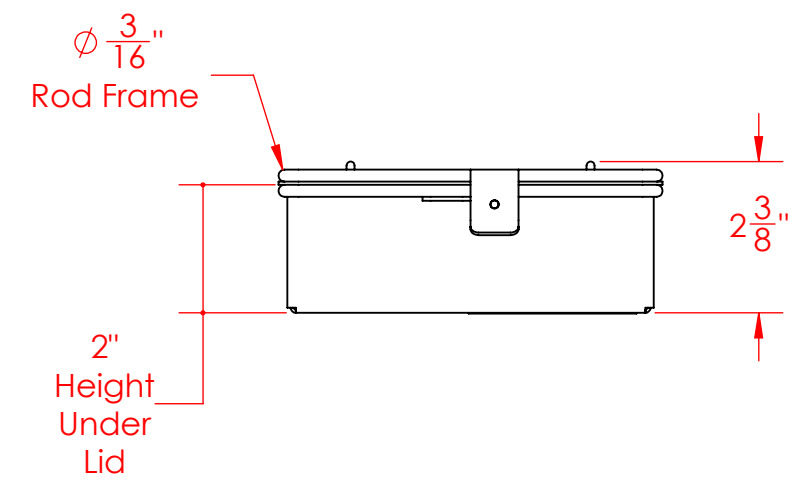
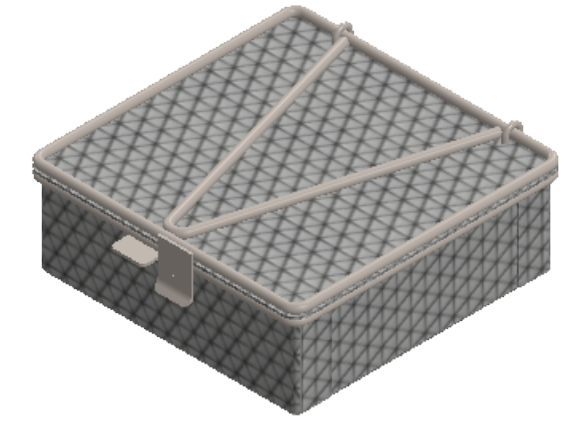


Lid Removed from View to show Approximate Inside Dimensions



One Piece Mesh Body of 2 Mesh x .063" Welded Wire (.437" Openings, 76% Open Area)



UNLESS OTHERWISE SPECIFIED:

DIMENSIONS ARE IN INCHES
 TOLERANCES:
 FRACTIONAL ± 1/16"
 ANGULAR: ± 5 DEG.
 TWO PLACE DECIMAL ±0.03
 THREE PLACE DECIMAL ±0.015

EST WGT
 0.9 lbs.

MATERIAL
 304 Stainless Steel

FINISH
 Natural

DO NOT SCALE DRAWING

Light Duty Mesh Basket: 6Lx6Wx2H,
 304 SS, Hinged Lid with Thumb
 Clasp, No Handles, Mesh: 2 x .063

PROPRIETARY AND CONFIDENTIAL

THE INFORMATION CONTAINED IN THIS DRAWING IS THE SOLE PROPERTY OF THREE M TOOL. ANY REPRODUCTION IN PART OR AS A WHOLE WITHOUT THE WRITTEN PERMISSION OF THREE M TOOL IS PROHIBITED.

SIZE **B** DWG. NO. FLB-060060020-L02S

SCALE: 1:3

SHEET 1 OF 1